

Two - Handle Kitchen Faucet

Product Spec Sheet



FEATURES & BENEFITS

GLL-200C
Chrome Finish

- This Product Contains Less Than 0.25% Weighted Average Lead Content On Wetted Surfaces
- Metal Lever Handle
- Ceramic Cartridge
- Max Flow Rate 1.5 GPM (5.7L/Min) At 60 PSI (ASME A112.18.1/A112.18.1)

Approvals:

Meets or Exceeds The Following:

- * ANSI/ASME A112.18.1/A112.18.1
- * NSF/ANSI 61 - Sec. 9
- * NSF/ANSI 372
- * IAPMO/cUPC
- * CA AB1953
- * ADA Compliant
- * NSF/ANSI/CAN 61: $Q \leq 1$



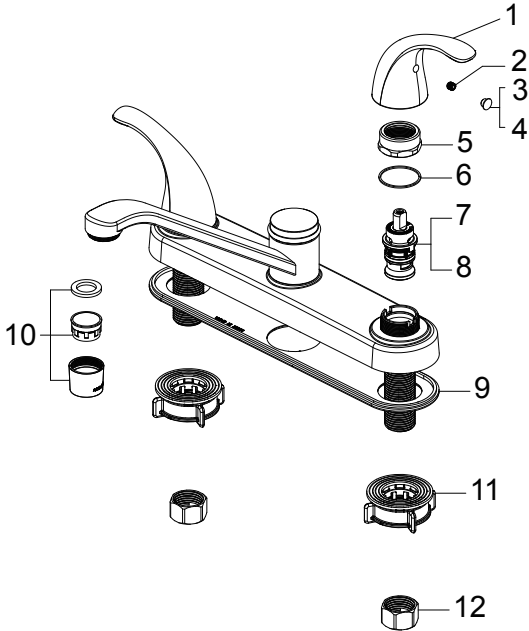
TEL: 888-649-0605

FAX: 877-892-1950

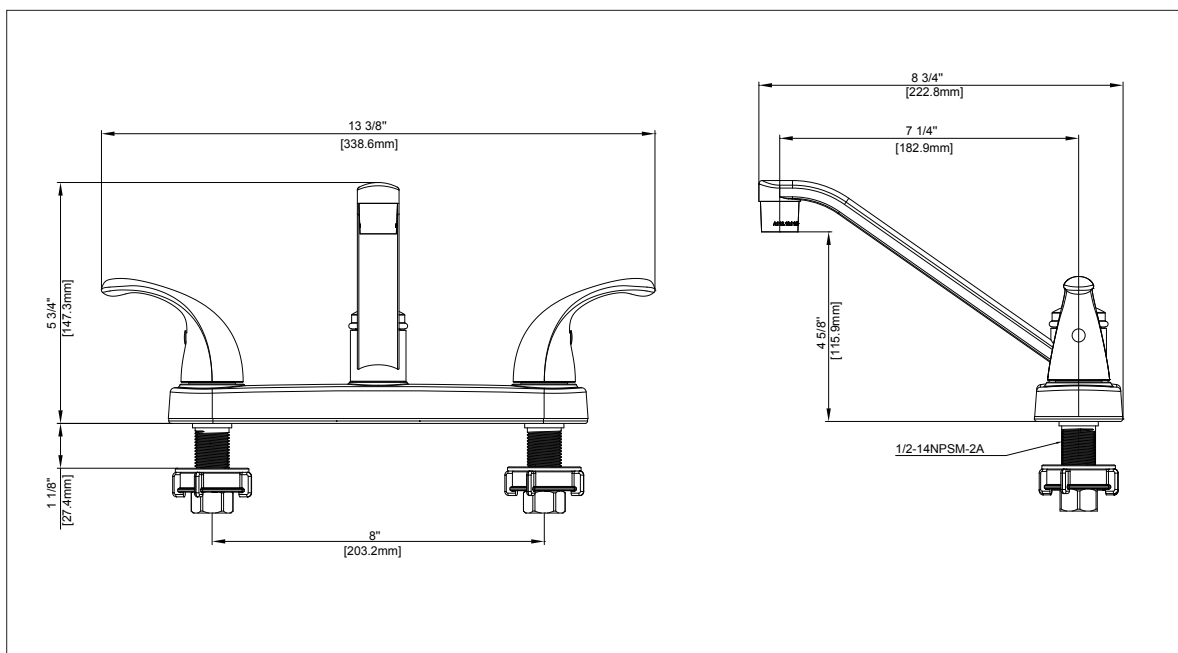
Visit Our Web Site : www.gemlinefaucets.com

Two - Handle Kitchen Faucet

No.	Name	Part No.
1	Handle / Llave	RP13308*
2	Set screw / Tornillo de fijación	RP50002
3	Index H / Índice H	RP10004
4	Index C / Índice C	RP10005
5	Bonnet / Bonete	RP70678
6	Washer / Arandela	RP64124
7	Cartridge H / Cartucho H	RP20067
8	Cartridge C / Cartucho C	RP20068
9	Gasket / Junta	RP70330
10	Aerator / Aireado	RP30067*
11	Easy install nut / Tuerca fácil de instalar	RP56095
12	Coupling Nut / Tuerca de acoplamiento	RP56002



* Specify Finish
* Especificque el Acabado



Product Spec Sheet